

LOADER, SCOOP TYPE, D.E.D., 4 WHEEL DRIVE, PNEUMATIC TIRES,
HINGED FRAME STEER, W/FORKLIFT FRONT MOUNTED,
HYDRAULIC OPERATED, 10,500 LB CAPACITY (EATON
YALE & TOWN, TROJAN MODEL 3000M) W/ENGINE
CUMMINS MODEL C-180-CI

Reference: LO 5-3805-243-12-2 and C9100-IL

Intervals are based on normal hours of operations. Adjust to compensate for abnormal operations and severe conditions. During inactive periods, sufficient lubrication must be performed for adequate preservation.

Clean parts with SOLVENT, dry-cleaning, or with OIL, fuel, Diesel. Dry before lubricating.

Clean fittings before lubricating.

Lubricate points indicated by dotted arrow shafts on both sides of equipment

Relubricate after washing or fording.

Drain crankcase, gearcases when hot. Fill and check level.

A dotted circle indicates a drain below.

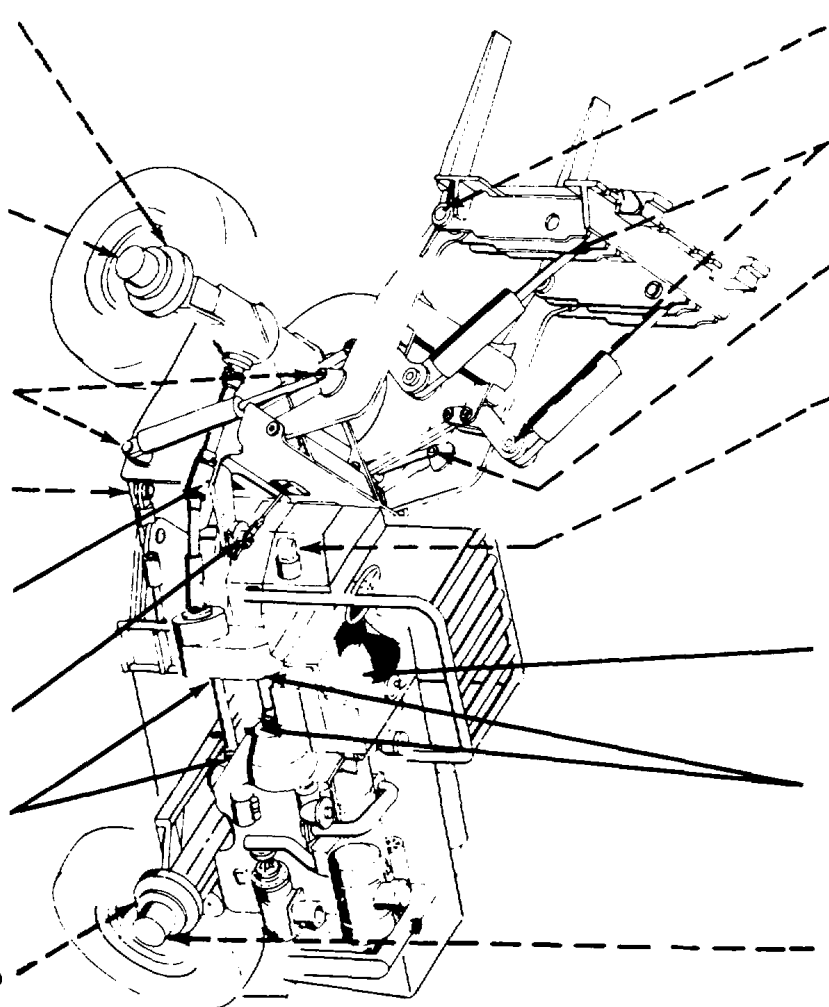
FOLD

FOLD

LUBRICANT • INTERVAL

INTERVAL • LUBRICANT

- Front Axle Planetary
Fill and Drain
(Drain and refill.)
(See key.) (See note 6.) **GO 1000**
- Front Axle Planetary
Level
(Check level.)
(See note 6.) **50**
- Lift Cylinder Pivots **GAA 10**
- Steering Cylinder
Pivot **GAA 10**
- Pillow Block Bearing
(Sparingly) **GAA 10**
- Steering Bellcrank
Pivot **GAA 10**
- Lower Rear Universal
Joints and Spline
(3 fittings) (Sparingly) **GAA 50**
- Rear Axle Planetary
Fill and Drain
(Drain and refill.)
(See key.) (See note 6.) **GO 1000**



- 10 GAA** Fork Pivots
- 10 GAA** Fork Lift Cylinders
- 10 GAA** Leveling Arm Pivots
- 50 HBA** Brake Power Cluster
Fill and Level Plug
(Check level)
(See key)
(Remove hand hole
cover to service)
- 500** Hydraulic Reservoir
Oil Filter
(See note 3.)
- 50 GAA** Upper Universal
Joints
(Sparingly)
- 50** Rear Axle Planetary
Level
(Check level.)
(See note 6.)

LUBRICANT • INTERVAL

INTERVAL • LUBRICANT

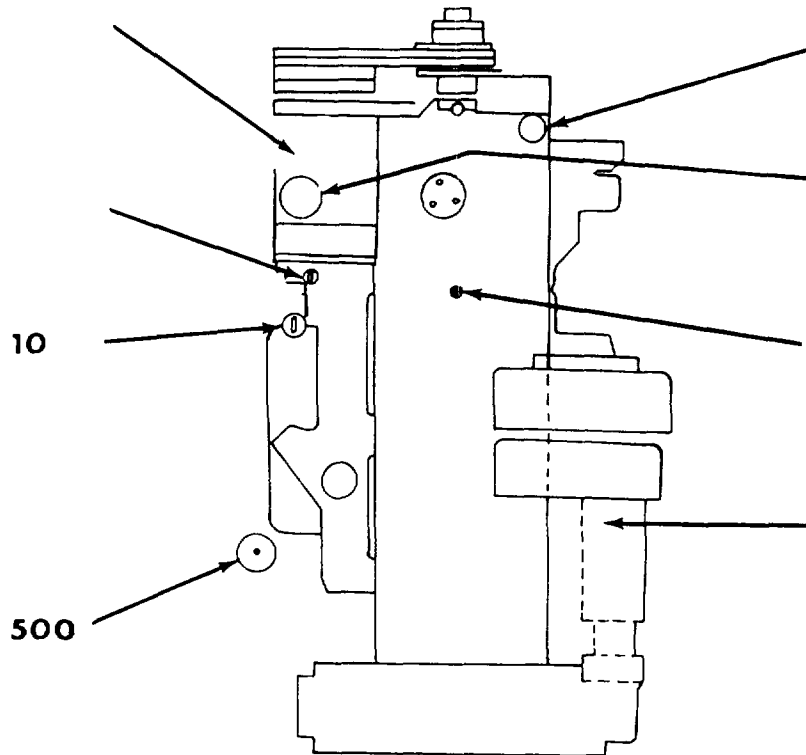
Generator
(Sealed bearings, no lubrication required.)

Crankcase Fill **OE**
(See key.)

Crankcase Level Gage **10**
(Check level.)

CAUTION: When OES oil is used the level will be checked more often.

Transmission and Converter Oil Filter **500**
(See note 5.)



Engine Air Cleaner (Dry type.)

100 Engine Oil Filters (See note 2.)

100 Crankcase Drain (Drain and refill.)

500 **OE** Starter (Remove plug, lubricate sparingly, install plug.)

PLAN VIEW

- KEY -

LUBRICANTS	CAPACITY	EXPECINTED TEMPERATURES			INTERVALS
		Above +32°F	+40°F to -10°F	0°F to -65°F	
OE -OIL, Engine, Heavy Duty	18 qt	OE 30	OE 10	OES	
Crankcase					
Oil Can Points					
OES -OIL, Engine, Sub-zero					

FOLD

FOLD

LUBRICANTS	CAPACITY	EXPECINTED TEMPERATURES			INTERVALS
		Above +32°F	+40°F to -10°F	0°F to -65°F	
GO LUBRICATING OIL, Gear	6 qt ea	GO 90	GO 90	GOS	Intervals given are in hours of normal operation.
Front Axle Planetary					
Rear Axle Planetary					
GOS -LUBRICATING OIL, Gear, Sub-zero					
HBA -FLUID, Hydraulic, Non-petroleum		ALL TEMPERATURES			
Brake Power Cluster					
GAA -GREASE, Automotive and Artillery					

NOTES:

1. FOR OPERATION OF EQUIPMENT IN PROTRACTED COLD TEMPERATURES BELOW -10° F. Remove lubricants prescribed in the key for temperatures above -10°F. Relubricate with lubricants specified in the key for temperatures below -10°F.

2. ENGINE OIL FILTERS. Every 100 hours remove filter elements, clean housings, install new elements, fill crankcase, operate engine for 5 minutes, check for leaks, check crankcase oil level and bring to full mark.

3. HYDRAULIC RESERVOIR OIL FILTER. After first 50 hours of operation, remove hand hole cover from top of hydraulic tank, remove and clean filter, service every 500 hours thereafter. Let oil cool before servicing.

4. OIL CAN POINTS. Every 50 hours lubricate control linkage, and all exposed adjusting threads with OE.

5. TRANSMISSION AND CONVERTER OIL FILTER. Every 500 hours remove filter element, clean housing, install new element, fill system, operate equipment for 5 minutes, check for leaks. Check transmission oil level and bring to full mark.

6. AXLE PLANETARIES. Every 50 hours rotate wheels until oil level line is horizontal. Check level. Every 1000 hours rotate wheels until drain and fill plug is at bottom center, remove plug, and drain. To fill, rotate wheels until oil level is horizontal, and fill to plug opening.

7. LUBRICANTS. The following is a list of lubricants with the Military Symbols and applicable specifications numbers.

GO-MIL-L-2105 GOS-MIL-L-1 0324
GAA-MIL-G-10924 HBA-MIL-H-1 3910

Copy of this Lubrication Order will remain with the equipment at all times; instructions contained herein are mandatory.

BY ORDER OF THE SECRETARY OF THE ARMY:

OFFICIAL: **KENNETH G. WICKHAM**
Major General, United States Army,
The Adjutant General.

HAROLD K. JOHNSON
General, United States Army,
Chief of Staff.

This fine document...

Was brought to you by me:



[Liberated Manuals -- free army and government manuals](#)

Why do I do it? I am tired of sleazy CD-ROM sellers, who take publicly available information, slap “watermarks” and other junk on it, and sell it. Those masters of search engine manipulation make sure that their sites that sell free information, come up first in search engines. They did not create it... They did not even scan it... Why should they get your money? Why are not letting you give those free manuals to your friends?

I am setting this document FREE. This document was made by the US Government and is NOT protected by Copyright. Feel free to share, republish, sell and so on.

I am not asking you for donations, fees or handouts. If you can, please provide a link to liberatedmanuals.com, so that free manuals come up first in search engines:

<A HREF=<http://www.liberatedmanuals.com/>>Free Military and Government Manuals

- Sincerely
Igor Chudov
<http://igor.chudov.com/>
- [Chicago Machinery Movers](#)