

LUBRICATION ORDER

LO 10-3930-625-12

28 AUGUST 1984

(Supersedes LO 10-3930-625-12, 4 FEBRUARY 1972)

**TRUCK, LIFT, FORK, ELECTRIC, SOLID RUBBER
TIRES, 4,000 LB CAPACITY, 100-INCH LIFT
(DREXEL DYNAMICS MODEL FL-40-EE-6550, ARMY
MODEL MHE 218) (NSN 3930-00-403-5661) AND
180-INCH LIFT (MODEL FL-40-EE-6250)
(NSN 3930-00-403-5662)**

Reference: TM 10-3930-625-12, and FEDERAL SUPPLY CATALOG C9100-IL.

Hard time intervals and the related man-hour times are based on normal operation. The man-hour time specified is the time you need to do all the services prescribed for a particular interval. Change the hard time interval if your lubricants are contaminated or if you are operating the equipment under adverse operating conditions, including longer-than-usual operating hours. The hard time interval may be extended during periods of low activity. If extended, adequate preservation precautions must be taken.

WARNING

Dry cleaning fluid is flammable. Do not use near a flame or excessive heat. Use only with adequate ventilation. Avoid prolonged breathing of vapors and minimize skin contact.

*The time specified is the time required to perform all services at the particular interval.

Clean parts or fittings with dry cleaning solvent (SD), Type II or equivalent. Dry before lubricating. Dotted arrow shafts indicate lubrication on both sides of equipment. A dotted circle indicates a drain below. Relubricate all items found contaminated after fording or washing.

The lowest level of maintenance authorized to lubricate a point is indicated by one of the following symbols as appropriate: Operator/Crew (C); and Organizational Maintenance (O).

Reporting errors and recommending improvements. You can help improve this manual. If you find any mistakes, or if you know of a way to improve the procedures, please let us know. Mail your letter or DA Form 2028 (Recommended Changes to Publications and Blank Forms) direct to: Commander, US Army Tank-Automotive Command, ATTN: DRSTA-MB, Warren, MI 48090. A reply will be furnished to you.

*TOTAL MAN-HOURS		*TOTAL MAN-HOURS	
INTERVAL	MAN-HOURS	INTERVAL	MAN-HOURS
8	0.2	250	2.0
50	0.4	1000	1.8

TA221807

LUBRICANT • INTERVAL

INTERVAL • LUBRICANT

LIFT CHAINS (0)
(CLEAN AND COAT)
(DO NOT LUBRICATE
WHEN OPERATING IN
ABRASIVE MATERIALS
OR ATMOSPHERE)

**OE/
HDO 50**

STEERING GEAR FILL
AND LEVEL PLUG (0)
(CHECK LEVEL)
(SEE KEY)

GAA 1000

DRAG LINK (0)
(SPARINGLY)

GAA 250

HYDRAULIC OIL
RESERVOIR DRAIN
PLUG (0)
(DRAIN AND REFILL)
(SEE NOTE 5)

1000

HYDRAULIC SUMP
STRAINER (0)
(SEE NOTE 5)

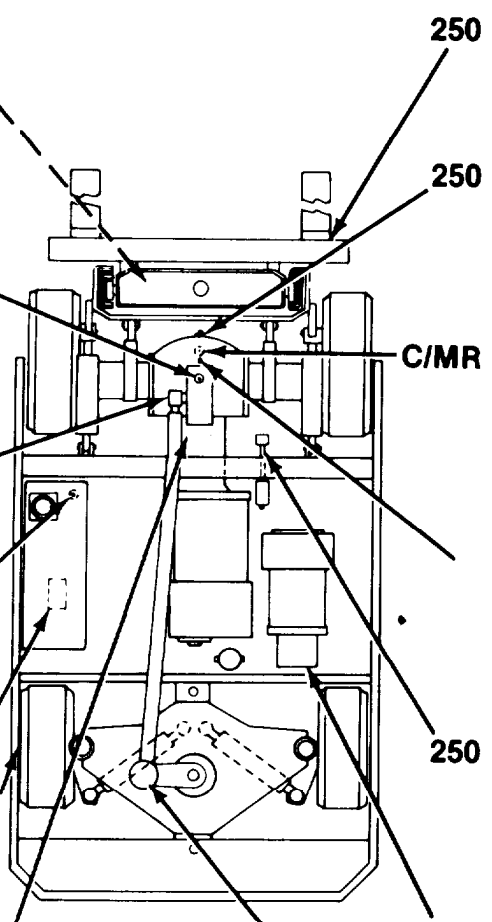
1000

STEER WHEEL
BEARINGS (0)
(SEE NOTE 3)

GAA 1000

DRIVE MOTOR
COUPLING CHAIN (0)
(SERVICE FROM
UNDERSIDE)

**OE/
HDO 250**



250 GAA FORK GUIDE (0)
(SPARINGLY)

250 DIFFERENTIAL OIL
LEVEL PLUG (0)
(CHECK LEVEL)

C/MR DIFFERENTIAL OIL
DRAIN PLUG (0)
(DRAIN AND REFILL)
(SEE NOTE 4)

GO DIFFERENTIAL OIL
FILL PLUG (0)
(SEE KEY)

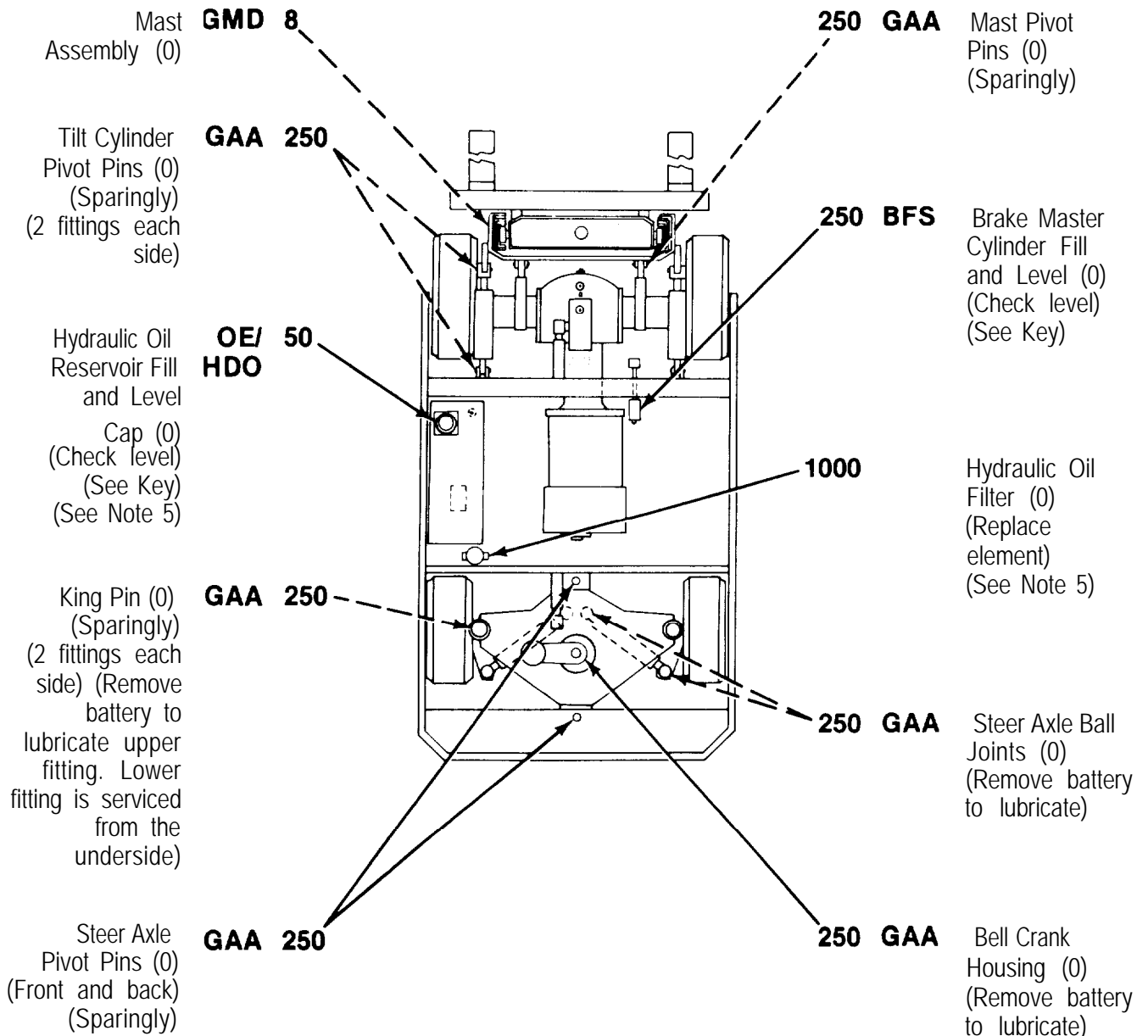
**250 OE/
HDO** BRAKE PEDAL
LINKAGE (0)
(SPARINGLY)

**250 OE/
HDO** PUMP MOTOR
COUPLING CHAIN (0)
(SERVICE FROM
UNDERSIDE)

250 GAA REAR DRAG LINK (0)
(SPARINGLY)
(REMOVE BATTERY TO
LUBRICATE)

LUBRICANT • INTERVAL

INTERVAL • LUBRICANT



- KEY -

LUBRICANTS	CAPACITY	EXPECTED TEMPERATURES			INTERVALS
		Above +15°F (Above 9°C)	+40° to 15°F (+ 4° to -26°C)	+40° to -65°F (+ 4° to 54°C)	
OE/ - Lubricating Oil, Internal Combustion Engine, Tactical Service DEA - Lubricating Oil, Internal Combustion, Arctic - Hydraulic Oil Reservoir - Oil Can Points (See Note 2)	68 qts. (64.3 L)	OE/HDO 10	OE/HDO 10	OEA (See Note 1)	C/MR - Condition Monitor Intervals given are in hours of normal operation.
GO - Lubricating Oil, Gear, Multipurpose - Differential	2 qts. (1.9 L)	G080W/90	G080W/90	G075W	
BFS - Brake Fluid, Silicone, Automotive - Brake Master Cylinder	5/16 qt. (0.3 L)	ALL TEMPERATURES			
GMD- Grease, Molybdenum Disulfide		ALL TEMPERATURES			
GM - Grease, Automotive and Artillery - Steering Gear	1 pt. (0.473 L)	ALL TEMPERATURES			

For Arctic operation refer to FM 9-207

*See Note 6 for lubricant specification number.

NOTES:

1. FOR OPERATION OF EQUIPMENT IN PROTRACTED COLD TEMPERATURES BELOW -15°F (-26°C). Remove lubricants prescribed in Key for temperatures above

-15°F (-26°C). Relubricate with lubricants specified in Key for temperatures below -15°F (-26°C). If OEA lubricant is required to meet the temperature ranges

TA221810

NOTES - CONTINUED:

prescribed in the Key, OEA lubricant is to be used in place of OE/HDO-10 lubricant for all temperature ranges where OE/HDO-10 is specified in the Key.

2. OIL CAN POINTS. Each 250 hours, lubricate seat brake linkage, accelerator pivot points, and all adjusting threads with OE/HDO.

3. STEER WHEEL BEARINGS. Each 1000 hours, remove wheels, clean and inspect all parts, replace damaged or worn parts, repack bearings, and assemble.

4. DIFFERENTIAL. Each 250 hours, check level. Change gear lubricant only when required by maintenance repair action, contamination by water, or other foreign material. After refill, operate for five minutes, check for leaks and bring oil level to level plug opening.

5. HYDRAULIC SYSTEM. Each 50 hours check oil level. Each 1000 hours drain reservoir, remove filter element, clean filter shell and install new filter element. Clean sump strainer and reinstall drain plug. Fill reservoir, operate lift for 5 minutes, check for leaks, check oil level and bring to "FULL" mark.

6. LUBRICANTS. The following is a list of lubricants with military symbols and applicable specification numbers.

OE/HDO	MIL-L-2104
GO	MIL-L-2105
GAA	MIL-G-10924
OEA	MIL-L-46167
BFS	MIL-B-46176
CMD	MIL-G-21164
(SD), Type II	P-D-680

Copy of this Lubrication Order will remain with the equipment at all times, instructions contained herein are mandatory.

By order of the Secretary of the Army:

JOHN A. WICKHAM, JR.
General, United States Army
Chief of Staff

OFFICIAL:

ROBERT M. JOYCE
Major General, United States Army
The Adjutant General

DISTRIBUTION:

To be distributed in accordance with DA Form 12.25A, Operator and Organizational maintenance requirements for Warehouse Equipment.

TA221811

This fine document...

Was brought to you by me:



[Liberated Manuals -- free army and government manuals](#)

Why do I do it? I am tired of sleazy CD-ROM sellers, who take publicly available information, slap “watermarks” and other junk on it, and sell it. Those masters of search engine manipulation make sure that their sites that sell free information, come up first in search engines. They did not create it... They did not even scan it... Why should they get your money? Why are not letting you give those free manuals to your friends?

I am setting this document FREE. This document was made by the US Government and is NOT protected by Copyright. Feel free to share, republish, sell and so on.

I am not asking you for donations, fees or handouts. If you can, please provide a link to liberatedmanuals.com, so that free manuals come up first in search engines:

<A HREF=<http://www.liberatedmanuals.com/>>Free Military and Government Manuals

- Sincerely
Igor Chudov
<http://igor.chudov.com/>
- [Chicago Machinery Movers](#)